

Dräger X-plore® 6300 Full Face Mask

The Dräger X-plore® 6300 is an efficient, low-cost full face breathing mask intended for price-conscious users not wishing to compromise comfort or quality. This full face mask is the successor to the Panorama Nova Standard, a mask which has proven itself over decades of use worldwide—redesigned and improved with fresh colors and an integrated bar code.



ST-7487/2005

Benefits

Secure and comfortable fit

The mask body is made from durable and skin-friendly EPDM, with double-layer face seal and triple sealing edges which provides a secure and comfortable fit for virtually any face shape.

5-point harness

The comfortable 5-point harness does not only ensure simple and quick fitting, but due to the wide straps, it also prevents pressure points on the head.

Wide field of view

The distortion-free PMMA lens made from Perspex with 180° wide angle ensures a large field of view with excellent panoramic vision.

Easy maintenance and logistics

One size fits all, simplifying logistics and stocking. The barcode on the inside simplifies the recording and maintaining of the mask inventory.

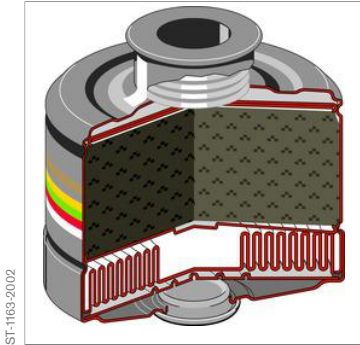
Efficient ventilation system

The efficient ventilation system with separate inner mask prevents the lens from fogging and ensures good vision.

Many different uses

The Dräger X-plore® 6300 full face mask is equipped with a Rd40 connection (40mm threaded) and for use with the extensive X-plore® Rd40 filter range.

Accessories



Dräger X-plore® Rd40 Filters

Whether used in chemical industry or automobile industry, shipbuilding, metal processing industry, or by public utility services—for decades Dräger respiratory protection filters have been a synonym for experience and safety worldwide. They clean breathable air from contaminants in a low-cost and effective manner.



PortaCount Fit Test Adapter



Fit Test Adapter

Order No.: R 40 56 718



OHD Quantifit

Fit Test Adapter

Accessories



ST-14835-2008

Welding protection visor

(Only for stainless steel frame) accepts standard 4-1/2" x 5-1/4" glass
Order No.: 4053437



D-7582-2011

Full face case, hard plastic for full mask



lens-overlay-protectors

Lens overlay protectors, self-adhesive

Order No.: 40 55 092



ST-397-99

Mask spectacles kit

Order No.: R 51 548

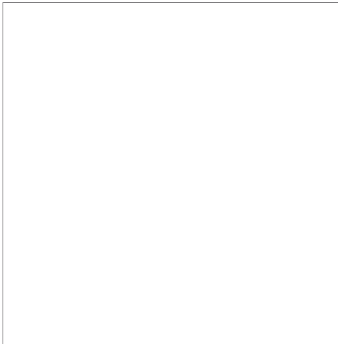
Accessories



visor-triplex-19309-2009

Triplex glass lens

excellent temperature and chemical resistance Order No.: R 26 989



Hairnet

Order No.: 40 54 931



ST-6179-2006

Anti-fogging gel "klar-pilot" (50 ml)

Order No.: R 52 560

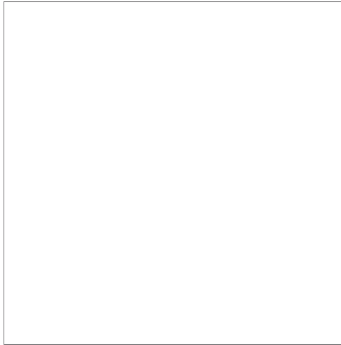


ST-13371-2008

Anti-fogging spray

Order number: R 21 120

Accessories



Full Face Bag

Blue Nylon with Draw String
Order number: R 40 55 785



ST-412-2003

Alcohol-free wipes, box of 100

Order No.: 40 53 845

Related Products



ST-946-2008

Dräger X-plore® 5500

Whether in the chemical, metal, or automotive industries, ship building, maintenance, supplies, or disposal: The Dräger X-plore® 5500 full face mask is the right solution for environments where not only increased respiratory protection is required, but a clear vision is mandatory.

Related Products



Dräger X-plore® 6570

The Dräger X-plore® 6570 is the high-comfort silicone full face mask used by professionals in a wide variety of applications. It meets the highest demands of quality, reliability, secure fit, and comfort. This full face mask is the successor to the Panorama Nova masks, a range which has proven itself over decades of use worldwide.



Dräger X-plore® 6530

Especially durable with wide panoramic view: Dräger X-plore® 6530 is an exceptional full face mask for professional use in the most versatile applications.

Technical Data

Mask body	Highly resistant and hypoallergenic EPDM
Visor	Scratch-proof PMMA (Plexiglas) with 180° wide-angle
Connector	Sturdy plastic with inhalation and exhalation valve, standard thread connection Rd 40x1/7" as per EN 148-1
Weight	Approx. 1.1 lbs
Tested and approved	EN 136 Class 2 (CE mark), NIOSH, AS/NZS

Ordering Information

Description	GTIN	Order no.
Dräger X-plore® 6300 EPDM/PMMA	04026056002405	R 55 800
Accessories		
Wikov V carrying box		R 51 019
Mask spectacles frame		R 51 548
Anti-fogging gel "klar-pilot"		R 52 560
DAISYquick cleaning cloths (pack of 10)		R 54 134
Welding shield		40 53 437
Adapter for welding shield	for supplementary panels and welding protective filters with a 4.3 x 3.5 in format	R 57 308

The compatible Dräger X-plore® Rd40 (RA) filter series with standard thread connection as per EN 148-1 includes an extensive range of different particle, gas and combination filters (see separate data sheet Dräger X-plore® Rd40 Filters for further details).

Dräger



MICROPACK
FIRE & GAS

äs
ahjar safety

Head Office
Ahjar Safety
Street 81
Misfa industrial Area
Muscat
Tel: +968-24437157
Fax: 24437158

www.ahjarsafety.com
Email: safety@ahjartech.om